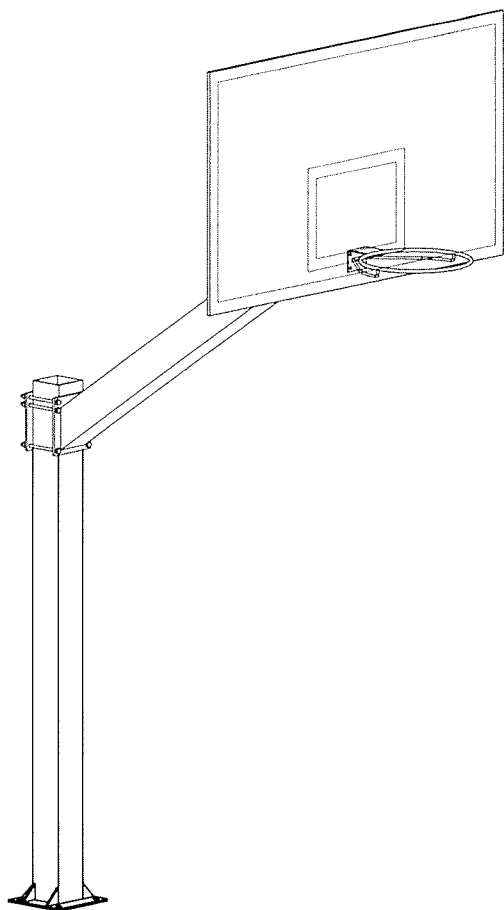


**ART. 4215 - 4216 BASKETBALL SYSTEM, MONO POST HOT GALVANIZED, EXTENSION 165 CM, ADJUSTABLE FROM BASKETBALL TO MINI-BASKETBALL, EQUIPPED WITH PLATE FOR FLOOR FIXING.**



Basketball system in accordance to UNI EN 1270:2005 - Equipment for basket court - equipment for basketball - functionality and safety requirements test methods.

UNI EN 1270 specify requirements for functionality and safety for basketball equipment. It is apply in 8 types included category from A to E . It is not apply to domestic basketball system, it is covered by UNI EN 71-1. Our Art. 4215 and 4216 correspond to the type n. 7 "portable with sockets" and to the cat. C " extension 1650 mm".

**PRODUCT DESCRIPTION**

Basketball system mono post hot galvanized, extension 165 cm, section 150x150 mm., equipped with sockets for fixing, superior arm height adjustable, to regulate height from basketball to mini-basketball. Steel basket, wood backboard (art. 4215) or laminated backboard (art. 4216) galvanized steel backstop frame for backboard.

N° 1 basket system = about 110 Kg.

**WARNINGS**

- Before starting the assembly or use the structure, read carefully instructions and verify the presence of all the components.
- This system has been designed exclusively for basketball not for others uses;
- Do not climb on the structure.

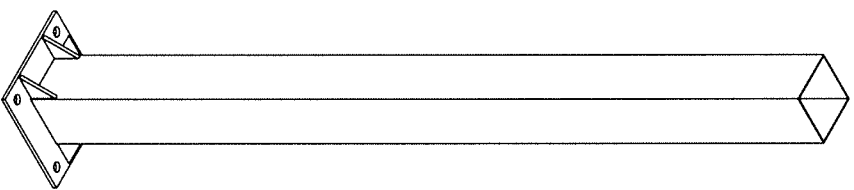
**MAINTENANCE**

- Once a year, control that all the fixings are well closed.
- Every time that the system is installed, control the general condition of it.

In case of structural failures or deformations, breaks or anomalies in general, contact immediately the installer or the dealer.

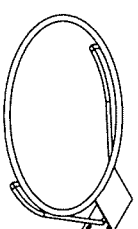
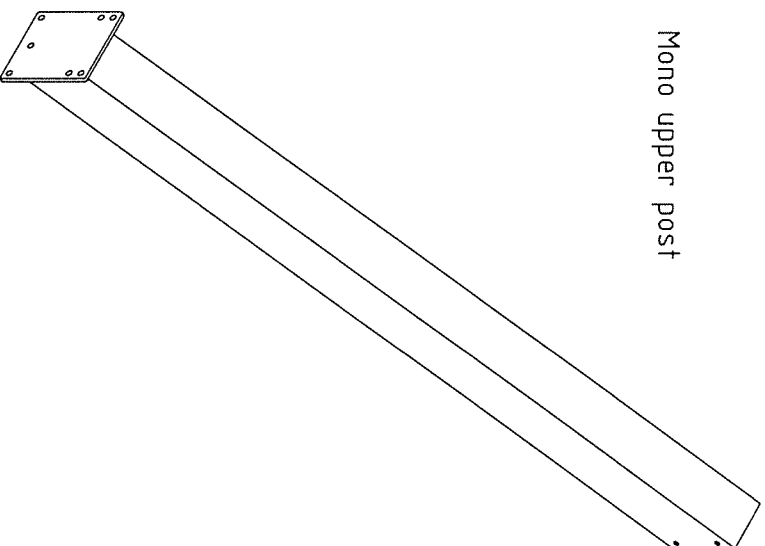
LIST OF COMPONENTS ( 2 BASKETS)

- n° 2 vertical mono posts;
- n° 2 upper mono posts;
- n° 2 backboards with backstop;
- n° 2 baskets;
- n° 2 nets;
- n° 2 plates ;
- n° 4 screws M12x 180 (hexagonal head)
- n° 4 screws M10x70 (hexagonal head)
- n° 4 screws M10x 50 (hexagonal head)
- n° 4 screws M10x 40 (hexagonal head)

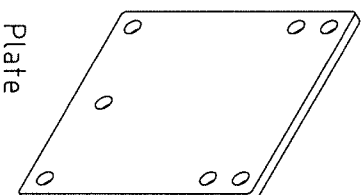


Mono vertical Post

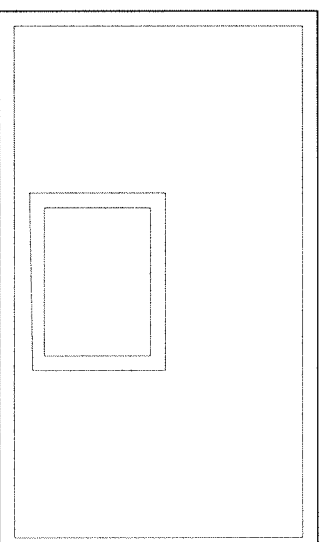
Mono upper post



Basket



Plate



Backboard

BASKETBALL SYSTEM, MONO POST



Art. 4215 - 4216

Data: 15/09/2016  
Aggiornamento n° 0

Pagina: 2/3

Figura 1  
Lateral section

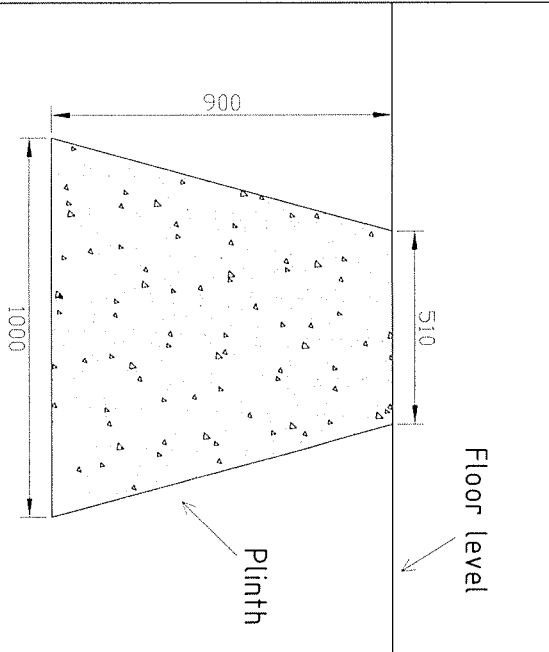


Figura 2  
Upper view

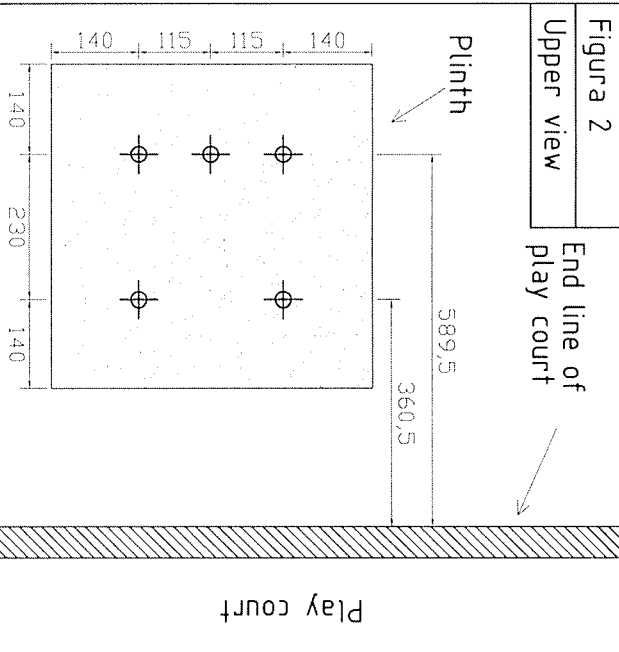
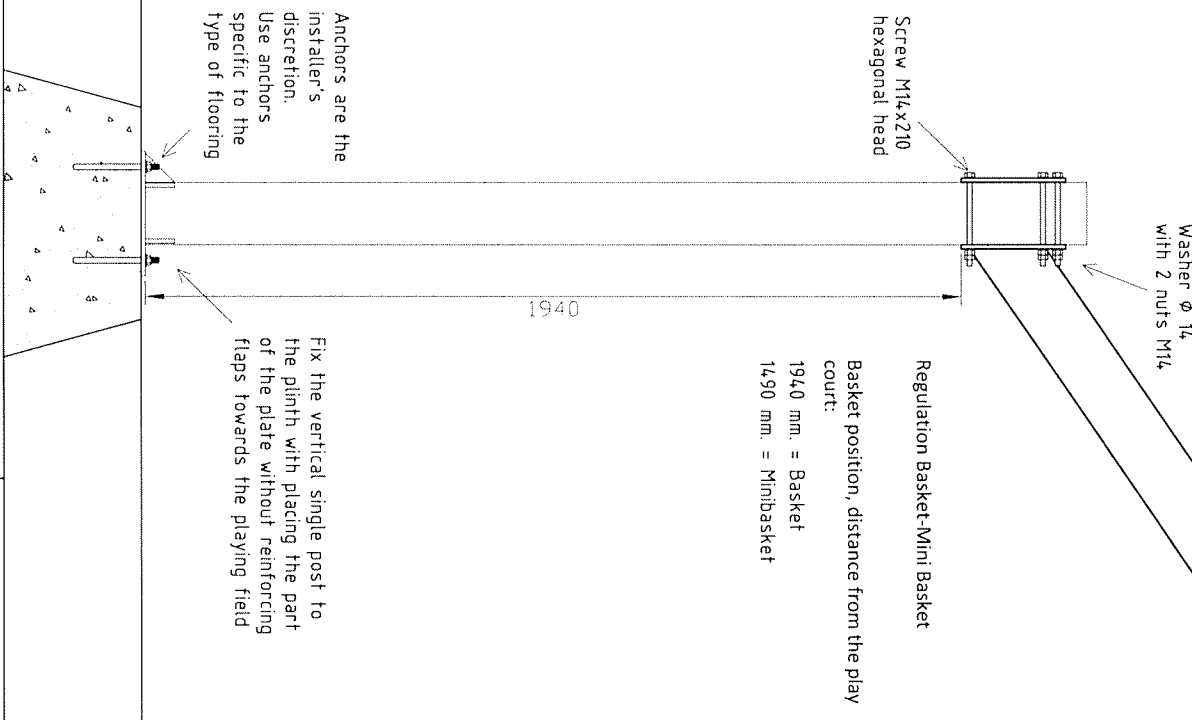


Figura 3  
lateral view



ASSEMBLY INSTRUCTIONS:

- Build the concrete plinth with the socket buried (Fig.1-2);
- Insert the vertical mono-post in the socket (Fig. 3)
- Install the upper mono post.(Fig.3)
- Fix the mono-post at the backboard.(Fig.4)
- Fix the basket and the net. (Fig. 5)

Figura 4

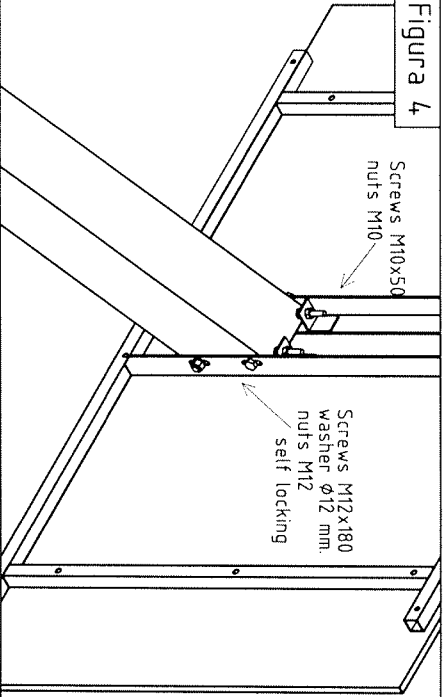
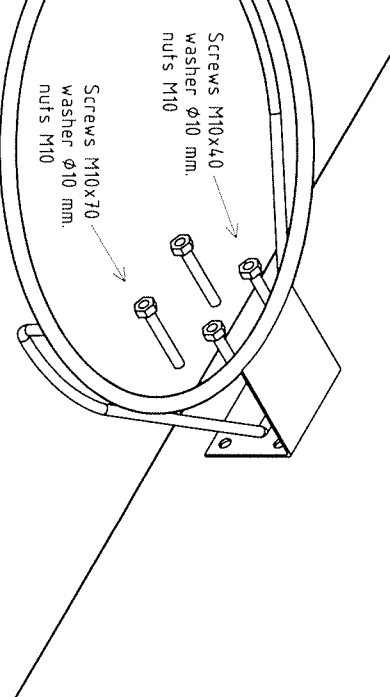


Figura 5



BASKETBALL SYSTEM, MONO POST



Art. 4215 - 4216

Data: 15/09/2016  
Aggiornamento n° 0

Questo disegno è un progetto della Vivisport S.r.l. È vietata la riproduzione totale o parziale senza autorizzazione.