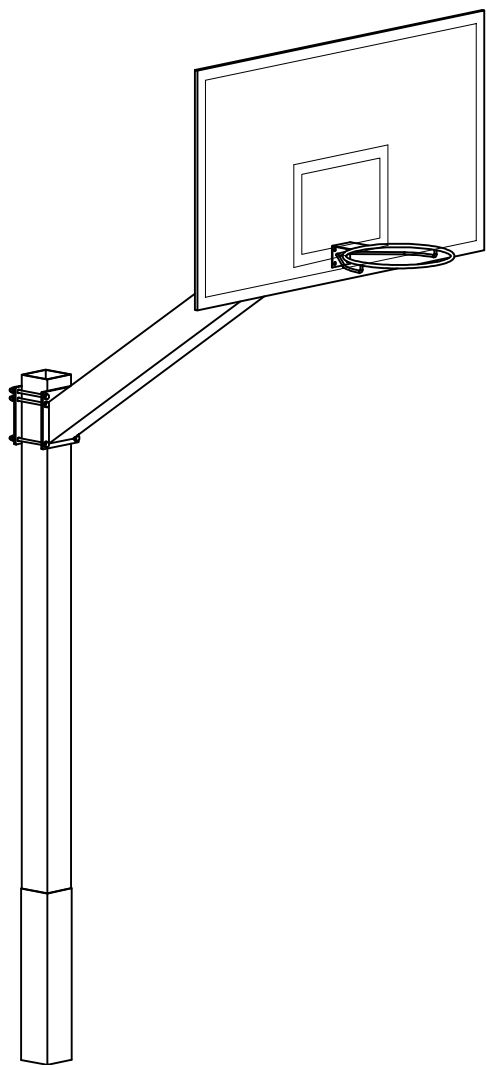


ART. 4210 - 4211 BASKETBALL SYSTEM, EXTENSION 165 CM., POSTS FIXED WITH SOCKETS



This system is made in compliance with UNI EN 1270:2005 rule. Playgrounds equipment - Basketball equipment - Functional and safety requirements, test methods.

The UNI EN 1270 rule specifies functional and safety requirements for basketball equipment. It applies to 8 types of equipment for basketball in Classes A through E. The rule does not apply to equipment to basketball household considered as covered by UNI EN 71-1.

Our system art. 4210 and 4211 corresponds to type 6 "removable with sockets" and to class C "extension 1650 mm".

PRODUCTS DESCRIPTIONS

Basketball system extension 165 cm. made in hot galvanized steel section 150x150 mm., post fixed in the ground with socket, backboard in wood (art. 4210) or laminated fiberglass (art. 4211), backboard frame in hot galvanized steel.

WARNINGS

- Read carefully the instructions, check the presence of all parts before using the system and starting assembly;
- This system is designed only for basketball and for no other purpose;
- Do not climb posts;

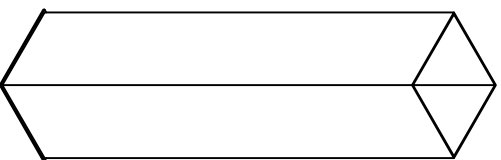
MAINTENANCE

- Check that the screws are tightened and the system general state once a year.

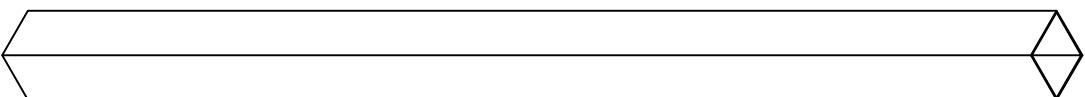
In case of failure, structural deformation, damages or faults in general contact immediately the installer or dealer.

PARTS LIST FOR 1 SYSTEM (2 GOALS)

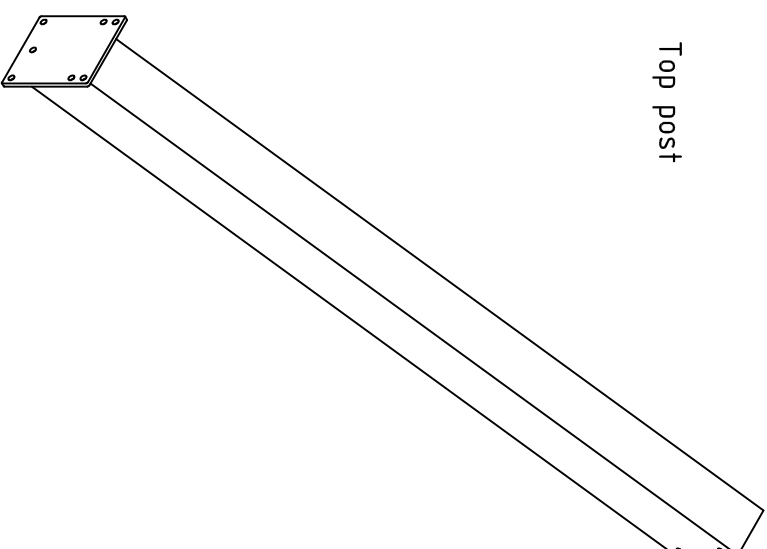
- n° 2 Vertical posts;
- n° 2 Top posts;
- n° 2 sockets;
- n° 2 Backboards with frame;
- n° 2 goals;
- n° 2 plates;
- n° 2 nets;
- n° 12 screws M14x210 mm.;
- n° 4 screws M12x180.;
- n° 4 screws M10x70.;
- n° 4 screws M10x50.;
- n° 4 screws M10x40.;
- n° 24 nuts M14.;
- n° 4 nuts M12 self-locking screws.;
- n° 16 nuts M10.;
- n° 12 washers $\phi 14$ mm.;
- n° 4 washers $\phi 12$ mm.;
- n° 8 washers $\phi 10$ mm..



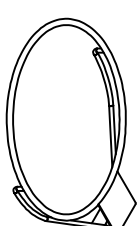
Socket



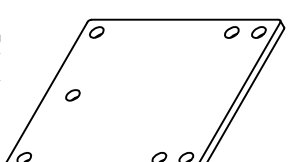
Vertical post



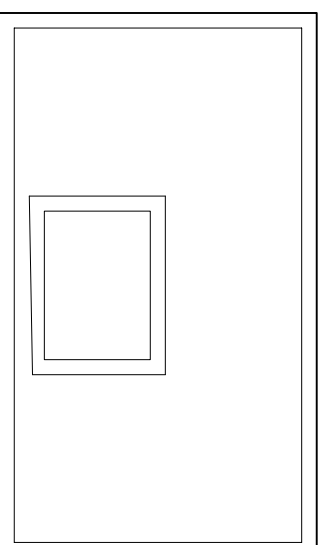
Top post



Goal



Plate



Backboard with frame

Basketball system, extension 165 cm., posts wixed with sockets



Art. 4210 - 4211

Data: 17/04/2013
Aggiornamento n° 0

Pagina: 2/3

Figura 1
Laterak section

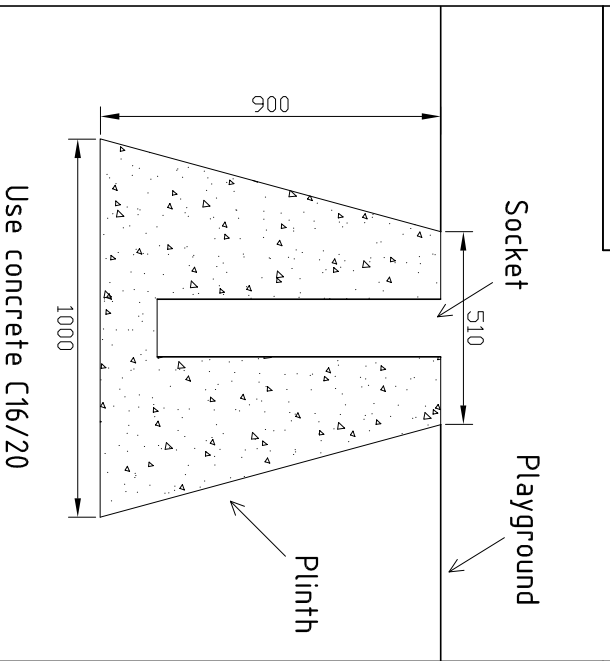


Figura 2
Top view

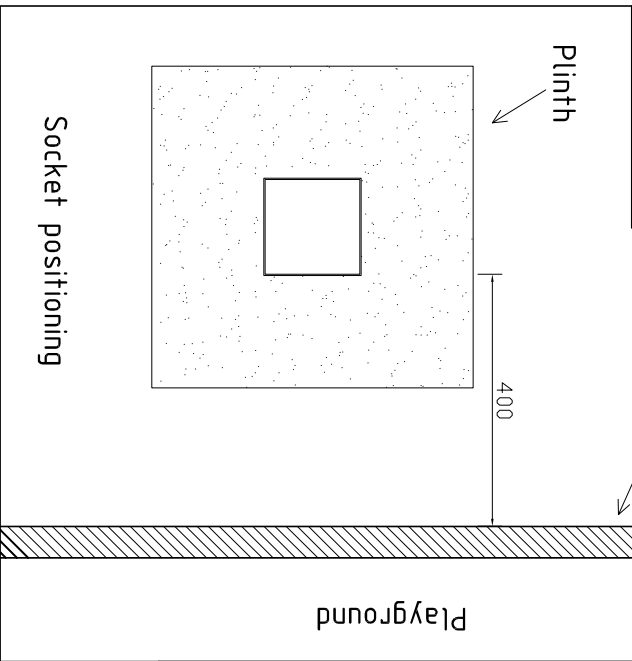
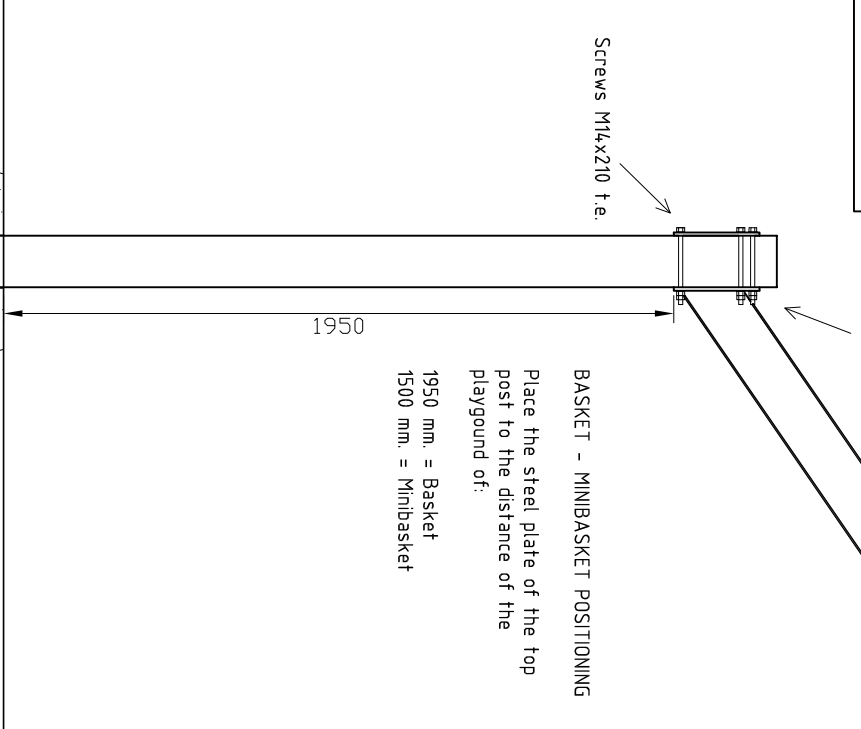


Figura 3
Lateral view



ASSEMBLY INSTRUCTION

- Build the plinth and drown the socket (Image 1-2);
- Insert vertical post in the socket (Image 3);
- Install top post (Image 3);
- Fix the backboard frame (Image. 4);
- Install the goal and net (Image 5).

Figura 4

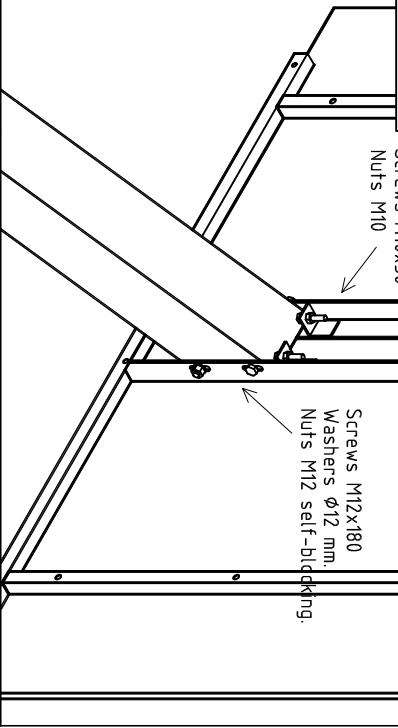
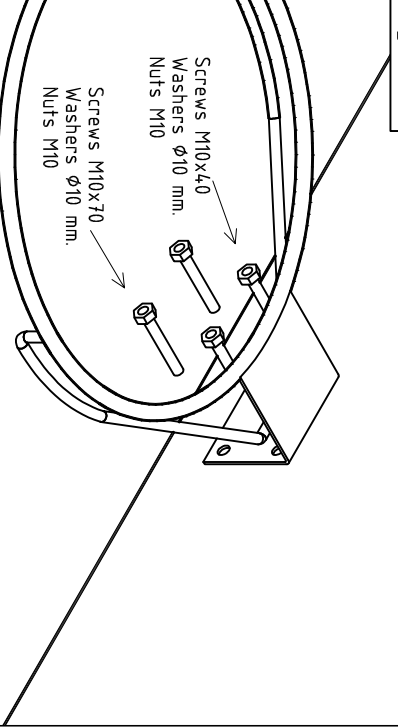


Figura 5



Basketball system, extension 165 cm., posts wixed with sockets

Art. 4210 - 4211

Data: 17/04/2013
Aggiornamento n° 0

Pagina: 3/3