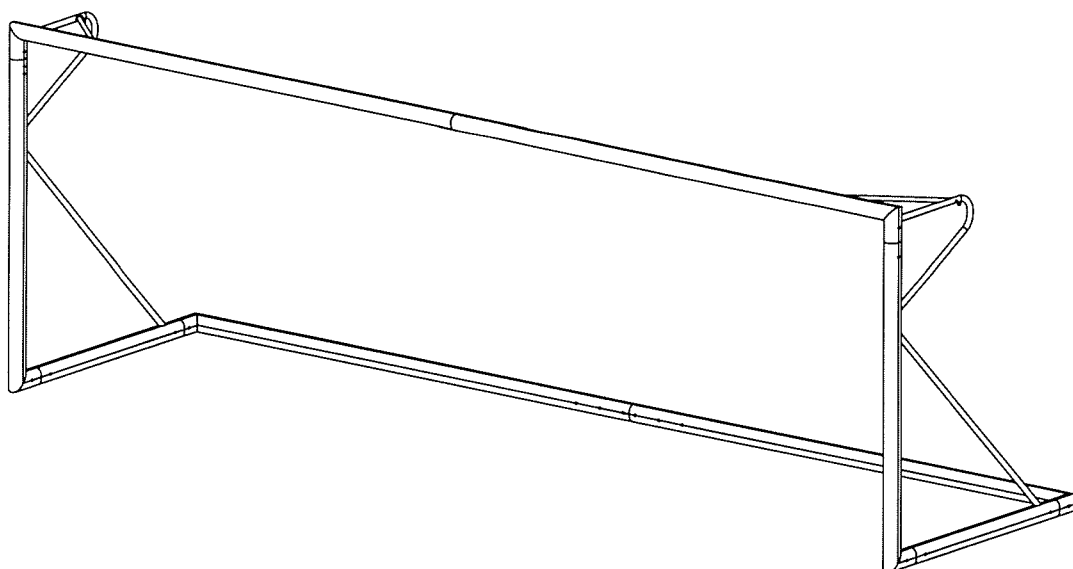


ART. 5900 ALUMINIUM STANDARD FOOTBALL GOAL 7.33 X 2.44 M. SECTION 100 X 120 MM. PORTABLE FREESTANDING, IN ACCORDANCE TO UNI EN 748.



This football goal is in accordance to UNI EN 748:2005 equipment for football playground - football goals - functionality and safety requirements, test methods.

UNI EN 748 specify requirements of functionality and safety for 4 types and 2 measures of football goals.

The standard is apply to the football goals used for indoor and outdoor coaching's and matches.

Our football goal art. 5900 correspond to the type 3 "portable freestanding football goal with ground fixing" or to the type 4 "portable freestanding goal with ballast" dim. 7.32 x 2.44 mt.

PRODUCT DESCRIPTION

Standard football goal 7.32 x 2.44 mt, portable freestanding, in accordance to UNI -EN 748, made with an aluminium profile oval section 100 x 120 mm. To make the football goal even more fixed and hardy, angles are welded and the junctions are made of special alloy 6005. The back side leaning to the ground, is made of the same material of the posts and crossbar, and also have the same section, angles net supports are made in hot galvanized steel, fastens for net fixing are made in plastic material.

WARNINGS

- Before starting the assembly or use the system, read carefully instructions and verify the presence of all the components.
- This system has been designed exclusively for football not for others uses;
- Football goals has to be always insured against overturning;
- Periodically control general condition and safety of the system;
- Do not climb on the football goal structure and net;
- If you anchor the football goal to the ground, ballast should be not less than 15 kg.

MAINTENANCE

- Once a year, control that all the fixings are well closed.
- Once a year control the condition of net's fastens, eventually provide to the replacement.
- Once a year control the football goal condition.

In case of structural failures or deformations, breaks or anomalies in general, contact immediately the installer or the dealer.

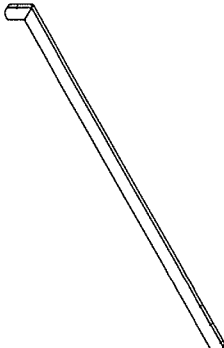

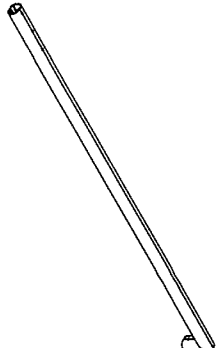

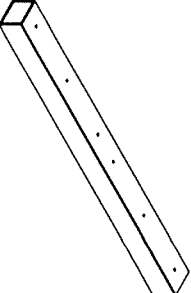
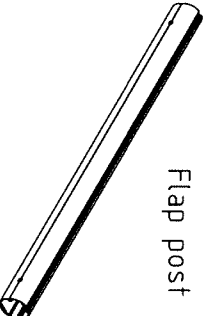

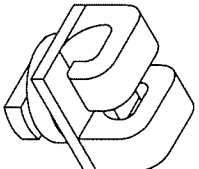

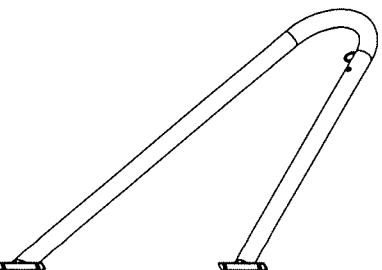

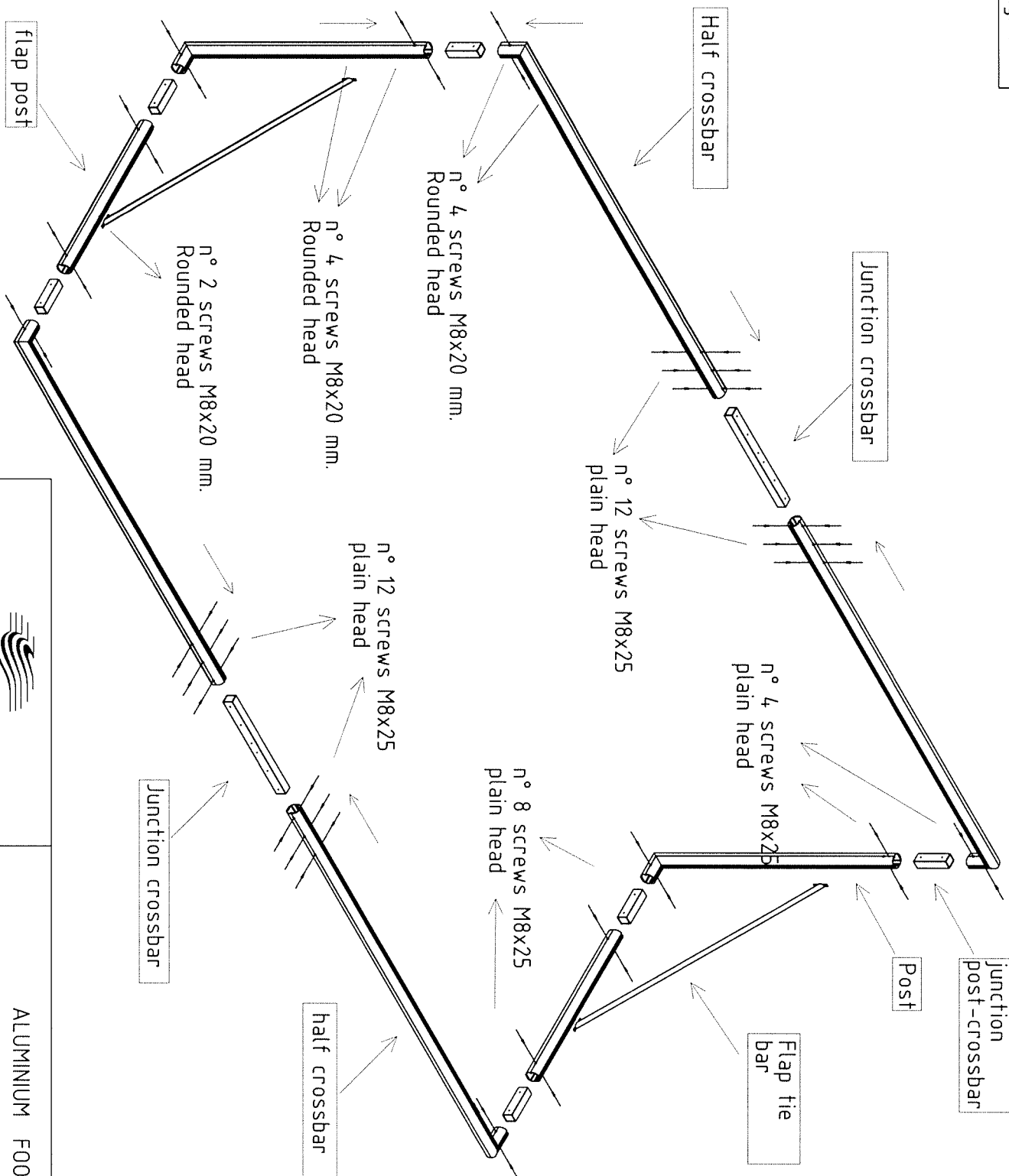
 <p>Left half crossbar</p>	 <p>Right/left post</p>	<p>LIST OF COMPONENTS (for 1 football goal)</p> <ul style="list-style-type: none"> n° 2 posts n° 2 right half crossbars n° 2 left half crossbars n° 6 junctions post-crossbar n° 2 junctions crossbar n° 2 flap posts n° 2 tie bar for flap n° 2 net supports n° 2 supports
 <p>Right half crossbar</p>	 <p>Support</p>	<ul style="list-style-type: none"> n° 100 net fastens n° 2 screws M8x60 (hexagonal head) n° 48 screws M8x25 (flaring plain head) n° 20 screws M8x20 (rounded head) n° 22 nuts M8 n° 22 washers diam. 8 mm.
 <p>Crossbar junction</p>	 <p>Flap post</p>	<p>N° 1 Football goal weight = about 95 Kg</p>
 <p>Post-crossbar junction</p>	 <p>Net fasten</p>	<p>Tie bar for flap</p> 
 <p>Net support</p>	 <p>VIVISPORT attrezzature sportive</p>	<p>ALUMINIUM FOOTBALL GOAL PORTABLE</p> <p>Art. 5900 Data: 30/08/2011 Aggiornamento n° 0</p> <p>Pagina: 2/5</p>

Fig. 1

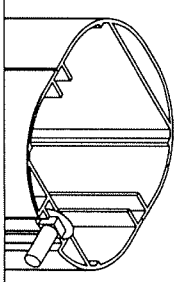


ASSEMBLY INSTRUCTIONS

- Assembly on the ground 2 crossbar closing screws at the junction crossbar. (Fig.1)
- Fix junctions post-crossbar not closing screws to the end (Fig. 1)
- Connect posts and flap posts, using the junction post-crossbar well closing screws (Fig. 1)
- Insert screws M8x20 in to the slots (Fig. 2)
- Insert crossbar and posts well closing the screws into the junction post-crossbar.
- Fix the net support (fig. 3)
- Fix the support (Fig. 3)
- Fix the flap tie bar (Fig. 7)
- Apply net fastens in the slots of all the posts and crossbars at the distance of 25 cm from each other, about 100 fastens each football goal. (Fig. 6)

Fig. 2

- Insert screws M8x20 mm (rounded head) as the drawing below
- n° 4 screws each half crossbar
- n° 4 screws each post
- n° 2 screws each post for flap



VIVISPORT
attrezzature sportive

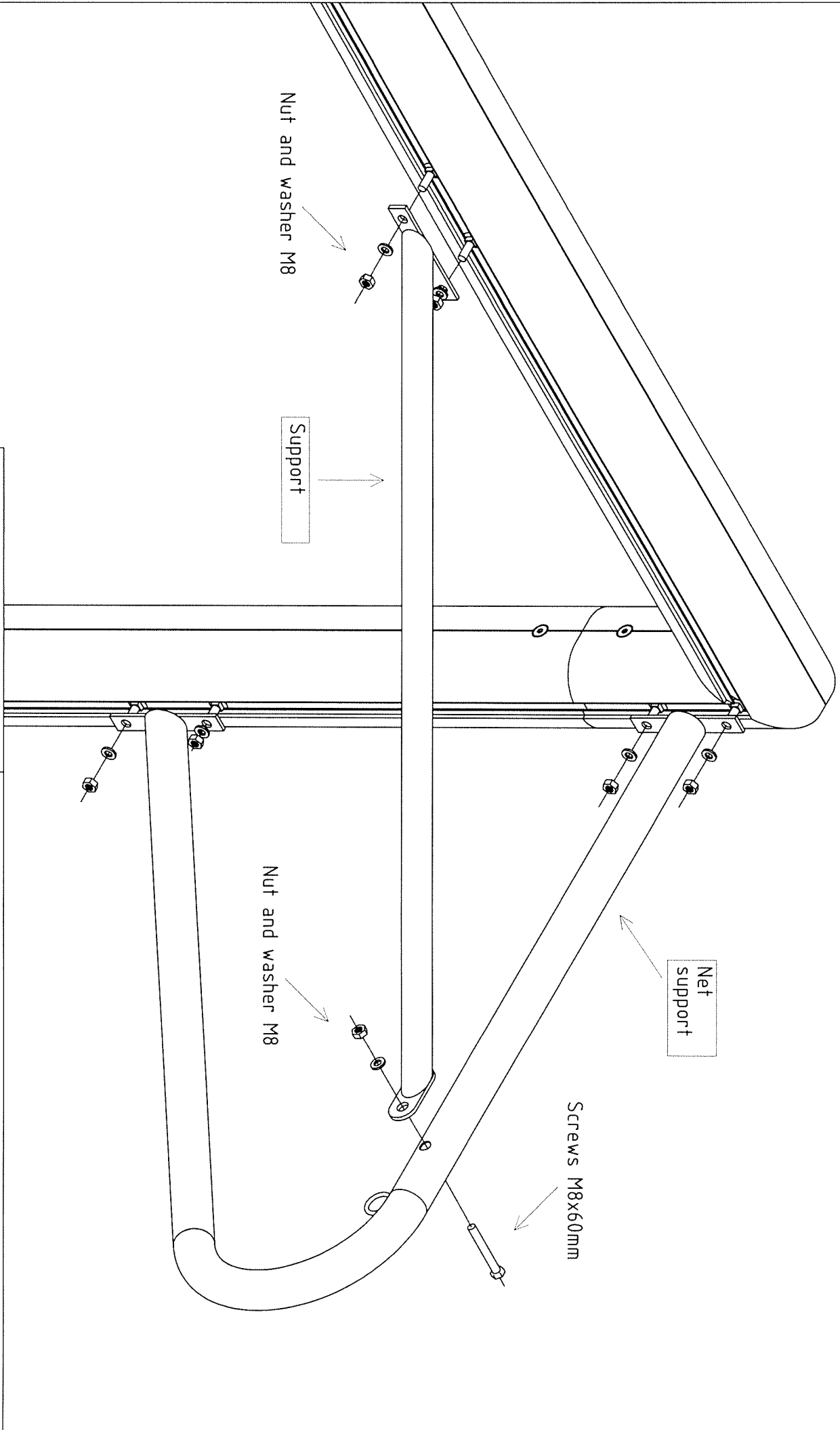
ALUMINIUM FOOTBALL GOAL PORTABLE

Art. 5900

Data: 30/08/2011
Aggiornamento n° 0

Pagina: 3/5

Fig. 3




VIVISPORT
attrezzature sportive

Art. 5900

ALUMINIUM FOOTBALL GOAL PORTABLE

Data: 30/08/2011
Aggiornamento n° 0

Pagina: 4/5

Disegni originali e di proprietà della Vivisport S.r.l. È vietata la riproduzione totale o parziale senza autorizzazione.

Fig. 4

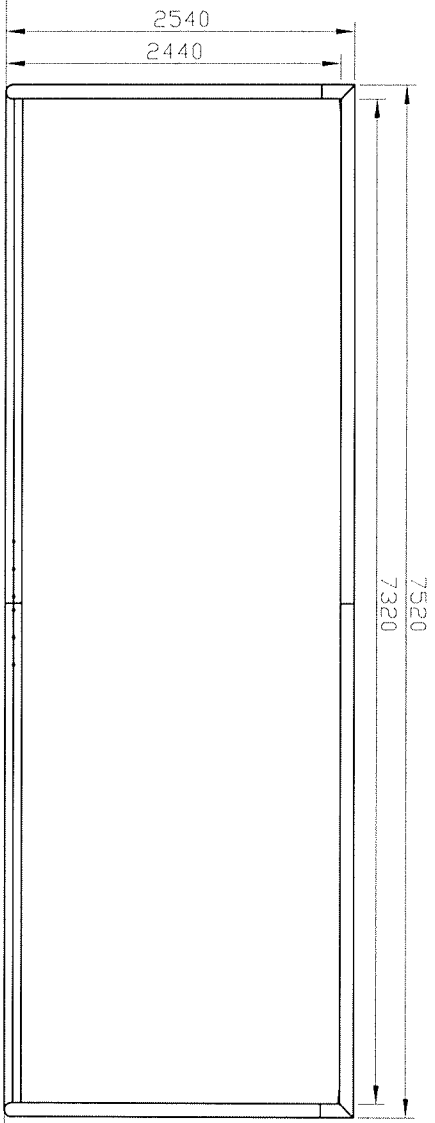


Fig. 7

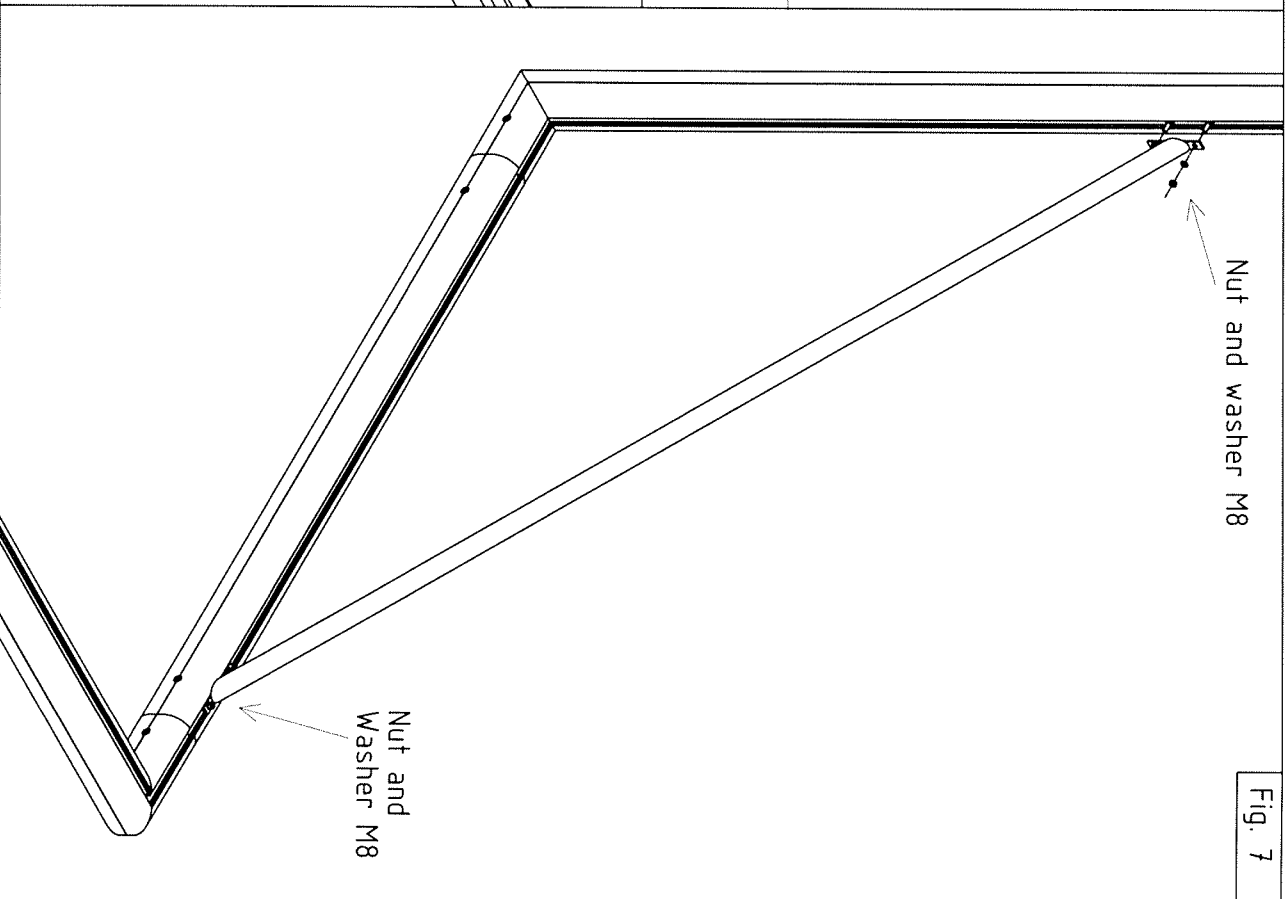


Fig. 5

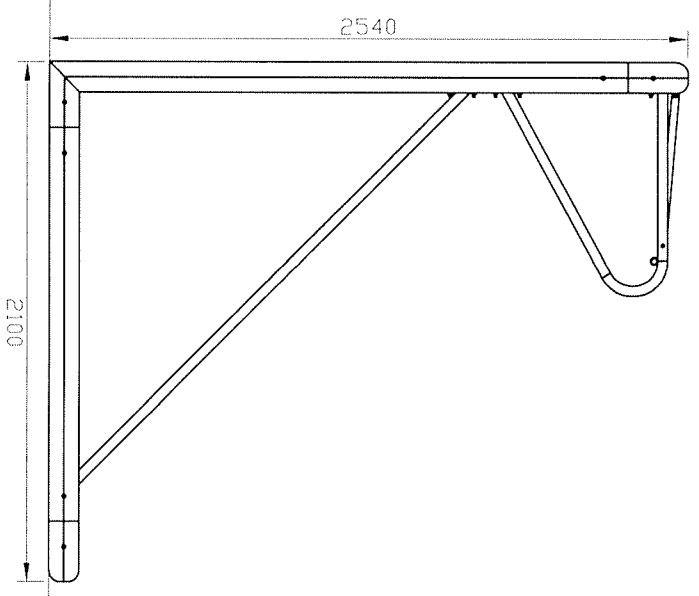
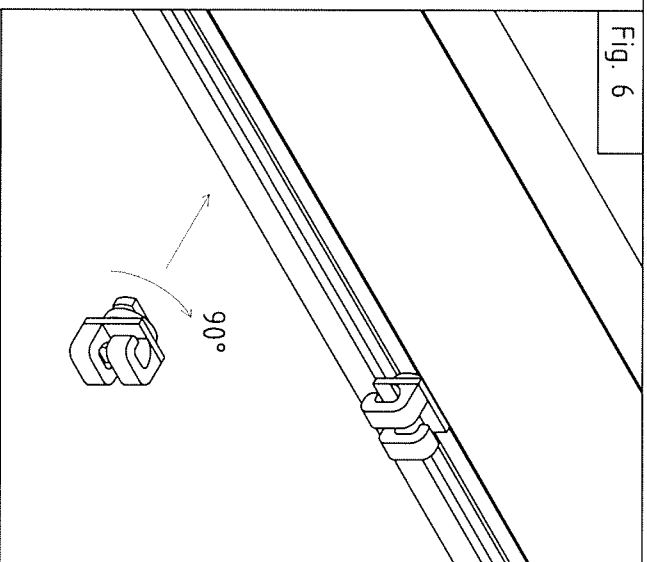


Fig. 6



VIVISPORT
 attrezzature sportive

ALUMINIUM FOOTBALL GOAL PORTABLE

Art. 5900

Data: 30/08/2011
 Aggiornamento n° 0

Pagina: 5/5